

C6B

600mm Griddle Gas Cooktop



C6B

- 600mm wide
- 2 griddle burners with pilot, flame failure and piezo ignition
- Machine finished griddle plate 12mm thickness
- Open cabinet base for extra storage
- Adjustable front feet and rear rollers
- Stainless steel finish
- Fully modular

Also Available



C6C

C6D

OVERALL CONSTRUCTION

- 12mm machined surface mild steel griddle plate
- Vitreous enamelled control panel
- Stainless steel front, sides and splashback
- Stainless steel cabinet interior base
- Stainless steel spill tray
- 63mm dia. stainless steel adjustable legs to front and two rollers at rear

CONTROLS

- Large easy use control knobs
- Variable high to low controls to griddle burners
- Standard with pilot, flame failure and piezo ignition

CLEANING AND SERVICING

- Easy clean stainless steel exterior
- Stainless steel grease trays
- Access to all parts from front of unit

Matching Products



CW2H



CSP6



CN4



CT9



CW3H



CW1H



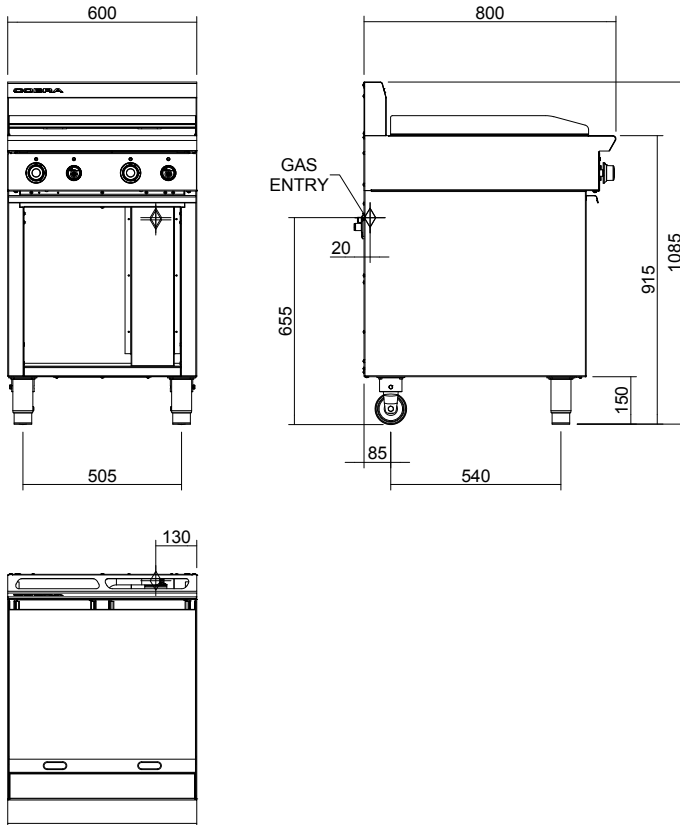
CP4



CS9 / C900-S

C6B

600mm Griddle Gas Cooktop



C6B

SPECIFICATIONS

Burners

Griddle Burners;
20MJ/hr, 5.0kW per 300mm section

Gas power (gross)

C6B 40MJ/hr, 10kW

Gas connection

R 3/4 (BSP) male
130mm from RH side, 20mm from
rear, and 655mm from floor

Dimensions

Width 600mm
Depth 800mm
Height 915mm
Incl. splashback 1085mm
Nett weight
78kg

Packing data

0.85m³, 109kg
Width 710mm
Depth 955mm
Height 1250mm

Gas types

Available in Natural gas and LP gas,
please specify when ordering
Other gas types on request